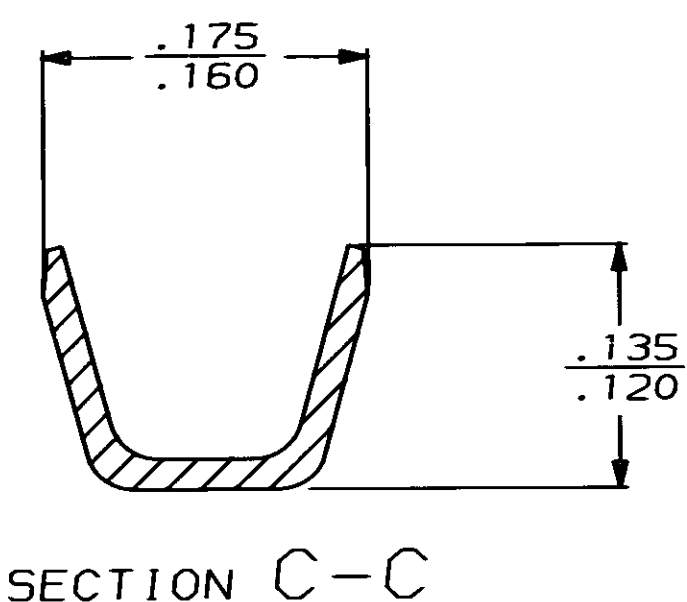
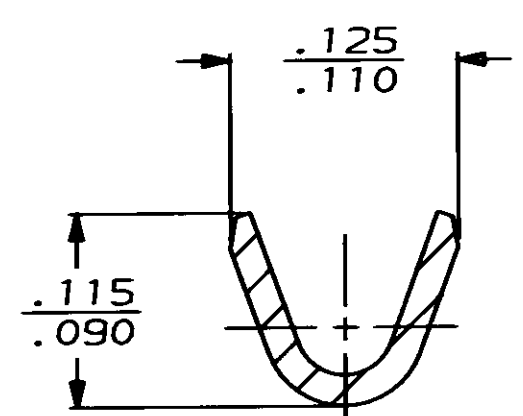
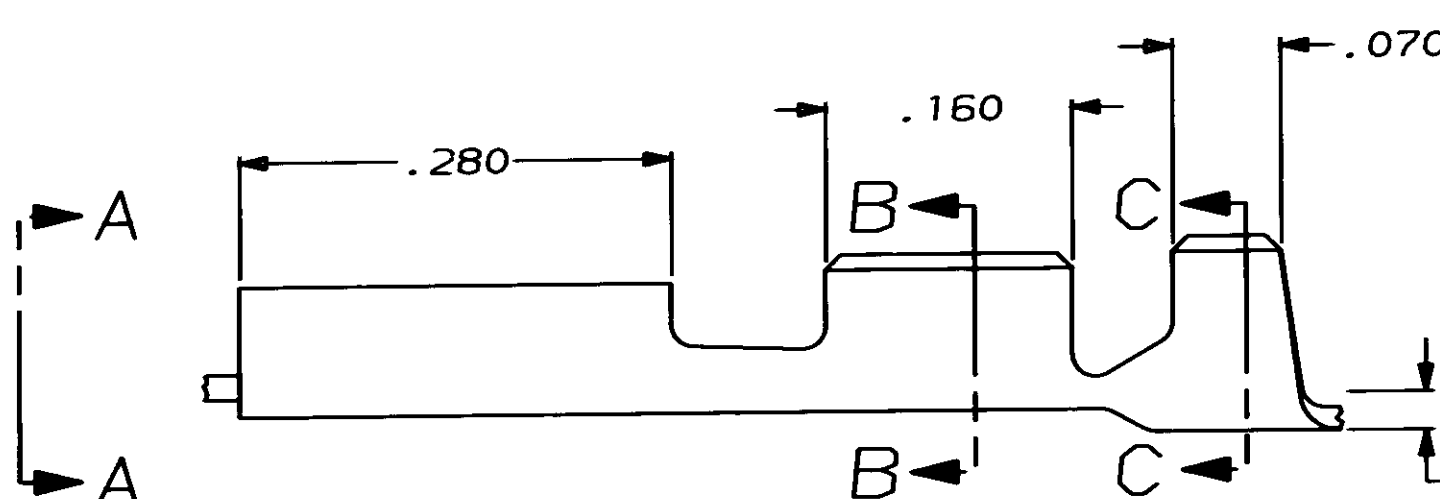
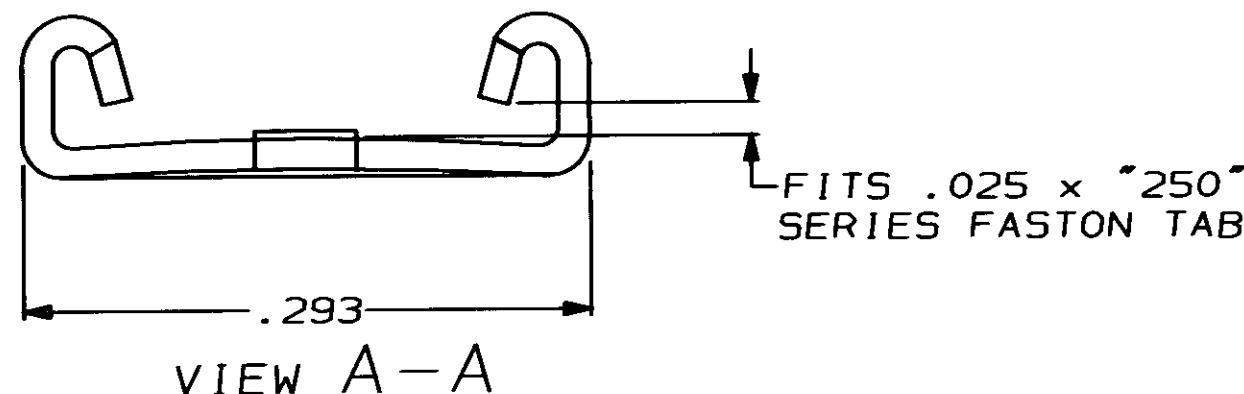
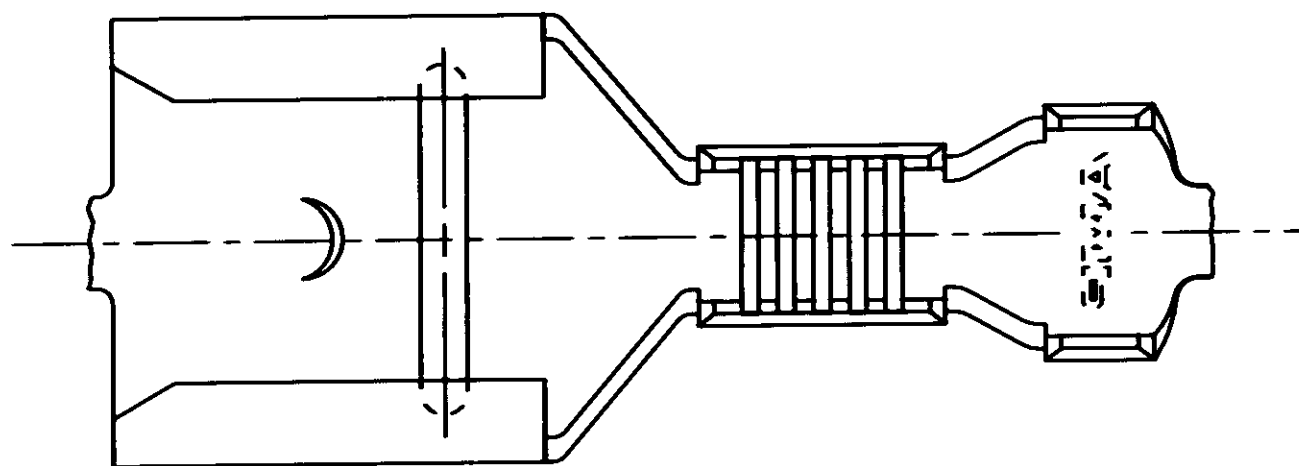


THIS DRAWING IS UNPUBLISHED. RELEASED FOR PUBLICATION ,19 .
 © COPYRIGHT 19 BY AMP INCORPORATED. ALL INTERNATIONAL RIGHTS RESERVED.

LOC	DIST	P	F	ZONE	LTR	REVISIONS	DATE	APPD
AF	50				C	REVISED AF-7653	10/9/91	JR/CM



- 1 WIRE RANGE:
#23-19 OR 24-26 DOUBLE MAGNET WIRE
- 2 INSULATION RANGE:
.050 OR (2) .050 SIDE BY SIDE

DO NOT SCALE PRINT. UNLESS SPECIFIED DIMENSIONS IN INCHES TOLERANCES ON: 2 PLC DEC ± - 3 PLC DEC ± .015 ANGLES ± -		DR 5/24/89 DK SCHAUM	62069-1 PART NO	
MATERIAL 4M BRASS	CHK 7/2/89 JR RUTH	APPD 7/3/89 C MEYERS	AMP INCORPORATED Harrisburg, Pa. 17105	
FINISH	APPD 7/3/89 R KUZO	PRODUCT SPEC	NAME RECEPTACLE, AMP/PLIVAR, FASTON™, "250" SERIES	
	APPLICATION SPEC	WEIGHT	SIZE B	FSC# NO 00779
			SCALE 8:1	DRAWING NO 62069
				SHEET 1 OF 1

CUSTOMER DRAWING