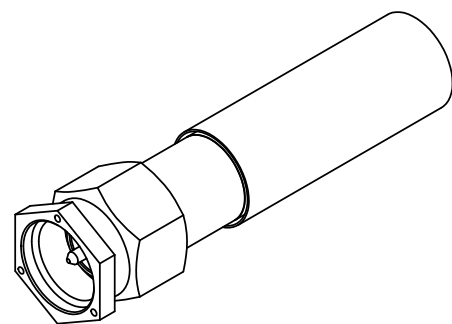
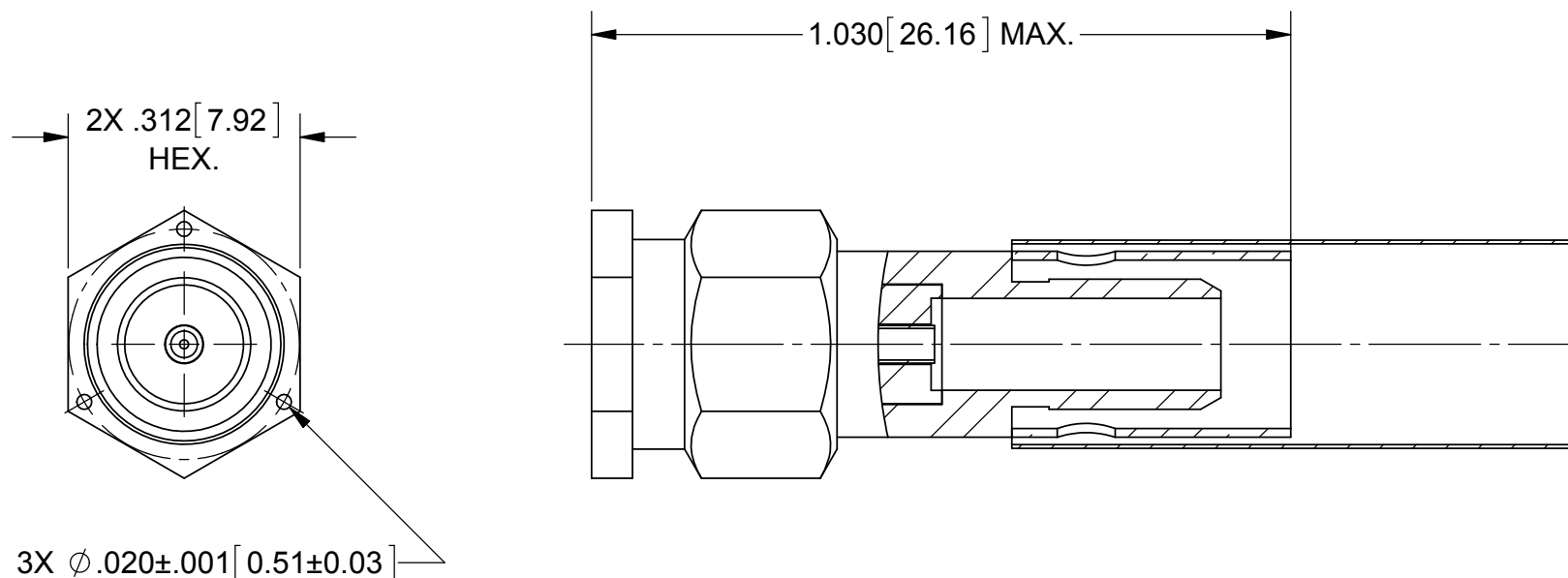


PRODUCT DATA DRAWING

REVISION HISTORY			
REV	DESCRIPTION	DATE	APPROVED
A	DCN 41650	09/15	DAL



EXPIRED



MATERIAL:


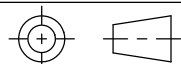
- BODY & COUPLING NUT: STAINLESS STEEL PER AMS-5640, ALLOY UNS S30300, TYPE 1
- LOCK RING & CONTACT: BERYLLIUM COPPER PER ASTM B196, ALLOY No. UNS C17300, TD04
- INSULATOR: PTFE PER ASTM D1710, TYPE I, GRADE 1, CLASS B
- GASKET: SILICONE RUBBER PER A-A-59588, CLASS 2B, GRADE 50/60
- SHRINK TUBING: MIL-DTL-23053/4
- CRIMP RING: COPPER PER ASTM B 301, ALLOY UNS C18700, H04

FINISH:

- COUPLING NUT: PASSIVATED PER AMS-2700
- BODY, CONTACT & CRIMP RING: GOLD PER ASTM B 488, TYPE II, CODE C, CLASS 1.27, OVER NICKEL PER AMS-QQ-N-290, CLASS 1, .00005" MIN.

PERFORMANCE:

- IMPEDANCE: 50 OHMS

MATERIAL:	SEE NOTES	DIMENSIONS ARE IN INCHES TOLERANCES:	UNLESS OTHERWISE SPECIFIED	 2400 Centrepark West Drive, Suite 100 West Palm Beach, FL 33409
FINISH:	SEE NOTES	FRACTIONAL: ±1/64 ANGULAR: X° ±1°0' X'X' ±15'	1) ALL DIMENSIONS ARE IN INCHES (MILLIMETERS) 2) ALL DIMENSIONS ARE AFTER PLATING. 3) BREAK CORNERS & EDGES .005 R. MAX. 4) CHAM. 1ST & LAST THREADS. 5) SURFACE ROUGHNESS 63-MIL-STD-10. 6) DIA. 'S ON COMMON CENTERS TO BE CONCENTRIC WITHIN .005 T.I.R. 7) REMOVE ALL BURRS	TITLE: SMA STRAIGHT PLUG SOLDER ATTACHMENT FOR RG-142, 400 & 223 CABLES
SURFACE AREA:	N/A	DECIMAL: X ±.030 .XX ±.010 .XXX ±.005	INTERPRET DIMENSIONS AND TOLERANCES PER ASME Y14.5M - 1994	SIZE: B CAGE CODE: 95077 DWG. NO.: M39012/55-3009
PROPRIETARY		THIRD ANGLE PROJECTION		SCALE: 4:1
THE INFORMATION CONTAINED IN THIS DRAWING IS THE SOLE PROPERTY OF SV MICROWAVE, INC. ANY REPRODUCTION IN PART OR AS A WHOLE WITHOUT THE WRITTEN PERMISSION OF SV MICROWAVE, INC IS PROHIBITED.				SHEET 1 OF 1
		DRAWN: RPA 12/18/85 REDRAWN: GPF 09/23/15 APPROVED: RD 2/26/86		