

THIS DRAWING IS UNPUBLISHED.

RELEASED FOR PUBLICATION

© COPYRIGHT - By -

ALL RIGHTS RESERVED.

LOC
FT

DIST
0

REVISIONS

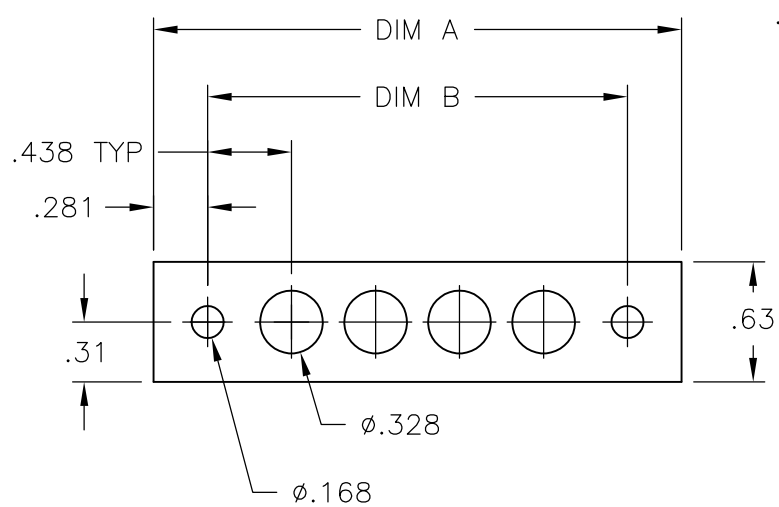
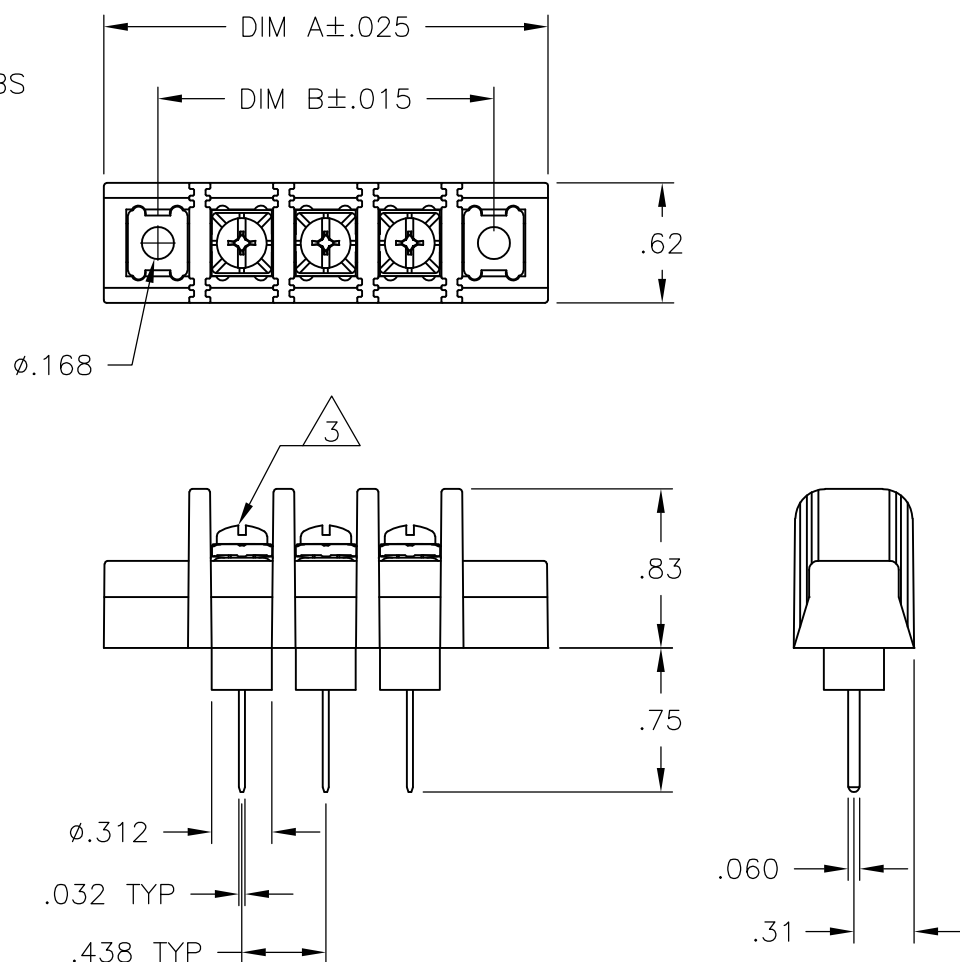
P	LTR	DESCRIPTION	DATE	DWN	APVD
	A	REVISED PER ECO-11-023039	18FEB12	KH	MS

MECHANICAL:
 HOUSING: THERMOPLASTIC, UL94V-0, BLACK.
 TERMINALS: BRASS, BRIGHT TIN PLATE.
 SCREWS: 6-32, STEEL, PLATED .0002 MIN ZINC W/
 CLEAR CHROMATE COATING.

ELECTRICAL:
 MAXIMUM CURRENT: 20A
 OPERATING VOLTAGE: 600V
 WIRE RANGE: 12-22 AWG

ENVIRONMENTAL:
 OPERATING TEMP.: -60°C TO +105°C

- ① SEE FIGURE.
- ② PRELIMINARY PART NUMBER.
- ③ ALL SCREWS BOTTOMED, TORQUE 2 TO 4 IN-LBS



	DIM B	DIM A	NO. OF POS.	CATALOG NUMBER	PART NUMBER
②	11.375	11.937	25	SSB7TG250702	2-1986233-5
②	10.937	11.500	24	SSB7TG240702	2-1986233-4
②	10.500	11.062	23	SSB7TG230702	2-1986233-3
②	10.062	10.625	22	SSB7TG220702	2-1986233-2
②	9.625	10.187	21	SSB7TG210702	2-1986233-1
②	9.187	9.750	20	SSB7TG200702	2-1986233-0
②	8.750	9.312	19	SSB7TG190702	1-1986233-9
②	8.312	8.875	18	SSB7TG180702	1-1986233-8
②	7.875	8.437	17	SSB7TG170702	1-1986233-7
②	7.437	8.000	16	SSB7TG160702	1-1986233-6
②	7.000	7.562	15	SSB7TG150702	1-1986233-5
②	6.562	7.125	14	SSB7TG140702	1-1986233-4
②	6.125	6.687	13	SSB7TG130702	1-1986233-3
②	5.687	6.250	12	SSB7TG120702	1-1986233-2
②	5.250	5.812	11	SSB7TG110702	1-1986233-1
②	4.812	5.375	10	SSB7TG100702	1-1986233-0
②	4.375	4.937	9	SSB7TG090702	1986233-9
②	3.937	4.500	8	SSB7TG080702	1986233-8
② ①	3.500	4.062	7	SSB7TG071302	2-1986233-6
②	3.500	4.062	7	SSB7TG070702	1986233-7
②	3.062	3.625	6	SSB7TG060702	1986233-6
②	2.625	3.187	5	SSB7TG050702	1986233-5
②	2.187	2.750	4	SSB7TG040702	1986233-4
②	1.750	2.312	3	SSB7TG030702	1986233-3
②	1.312	1.875	2	SSB7TG020702	1986233-2
②	.875	1.437	1	SSB7TG010702	1986233-1

THIS DRAWING IS A CONTROLLED DOCUMENT.

DIMENSIONS: INCHES	TOLERANCES UNLESS OTHERWISE SPECIFIED: 0 PLC ± - 1 PLC ± - 2 PLC ± .02 3 PLC ± .010 4 PLC ± - ANGLES ± 1°	DWN S SCHL GEL 8/17/07 CHK S YODER 8/17/07 APVD S YODER 8/17/07 PRODUCT SPEC APPLICATION SPEC WEIGHT -	STE TE Connectivity	
MATERIAL -	FINISH -	NAME SSB7TGXX0702		
		SIZE A3	CAGE CODE 00779	DRAWING NO C-1986233
CUSTOMER DRAWING		SCALE NTS	SHEET 1 OF 2	REV A

4

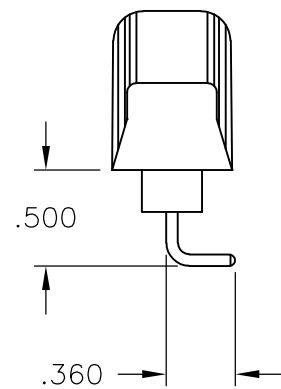
3

2

1

THIS DRAWING IS UNPUBLISHED. RELEASED FOR PUBLICATION - , - .
 © COPYRIGHT - By - ALL RIGHTS RESERVED.

LOC	DIST	REVISIONS			
P	LTR	DESCRIPTION	DATE	DWN	APVD
		SEE SHEET 1	-	-	-



2-1986233-6

THIS DRAWING IS A CONTROLLED DOCUMENT.		DWN S SCHLGEL	8/17/07	STE TE Connectivity		
DIMENSIONS: INCHES		CHK S YODER	8/17/07			
TOLERANCES UNLESS OTHERWISE SPECIFIED:		APVD S YODER	8/17/07	NAME		
0 PLC ± -		PRODUCT SPEC		SSB7TGXX0702		
1 PLC ± -		APPLICATION SPEC		RESTRICTED TO		
2 PLC ± .02		WEIGHT		SIZE	CAGE CODE	DRAWING NO
3 PLC ± .010		-		A3	00779	C-1986233
4 PLC ± -		CUSTOMER DRAWING		SCALE	SHEET	REV
ANGLES ± 1°		-		NTS	2 OF 2	A
MATERIAL	FINISH	-				
-	-					