

DRAWING MADE IN THIRD ANGLE PROJECTION

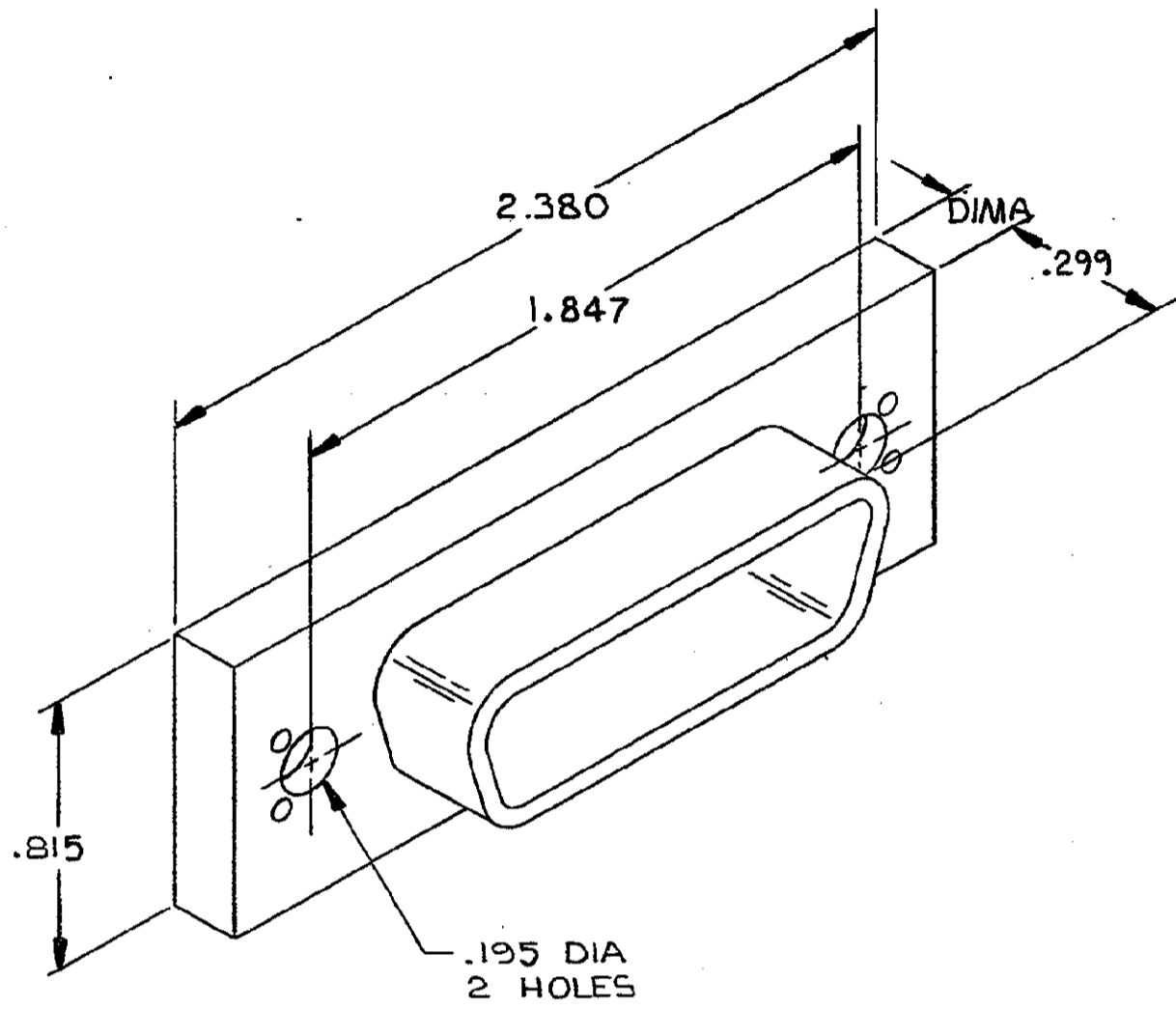
3

2

LOC 151
AA 15/2

THIS DRAWING IS UNPUBLISHED. RELEASED FOR PUBLICATION . 19
 © COPYRIGHT 19 BY AMP INCORPORATED, HARRISBURG, PA. ALL INTERNATIONAL RIGHTS RESERVED. AMP PRODUCTS MAY BE COVERED BY U.S. AND FOREIGN PATENTS AND/OR PATENTS PENDING.

REVISIONS						
P	F	ZONE	LTR	DESCRIPTION	DATE	APPROVED
D			D	REVISED PER ECN AA-2543	3-17-86	<i>[Signature]</i> SD



1. ALL DIMENSIONS SHOWN ARE MAXIMUM UNLESS OTHERWISE SPECIFIED.

553035

.085	ZINC	REAR ONLY	553035-6
.198		FRONT & REAR	553035-5
DIM A	MATERIAL	TYPE MOUNTING	PART NO

UNLESS OTHERWISE SPECIFIED DIMENSIONS ARE IN INCHES. TOLERANCES ON: DECIMALS ± # ANGLES ± #	CONTRACT NO	AMP AMP INCORPORATED Harrisburg, Pa. 17105	
	DR <i>L. Bowman</i> 12-31-81 CHK <i>MD</i> 1-13-82		
MATERIAL SEE TABLE	APPR <i>[Signature]</i> 1-14-82 APPR <i>[Signature]</i> 1-14-82 DSGN APPD	SHIELD, EMI RECEPTACLE, PANEL MOUNTING, CHAMP	
FINISH BRIGHT NICKEL PLATE	OTHER APPD	SIZE C	FSCM NO 00779
		DRAWING NO 553035	
		SCALE 2/1	SHEET 1 OF 1