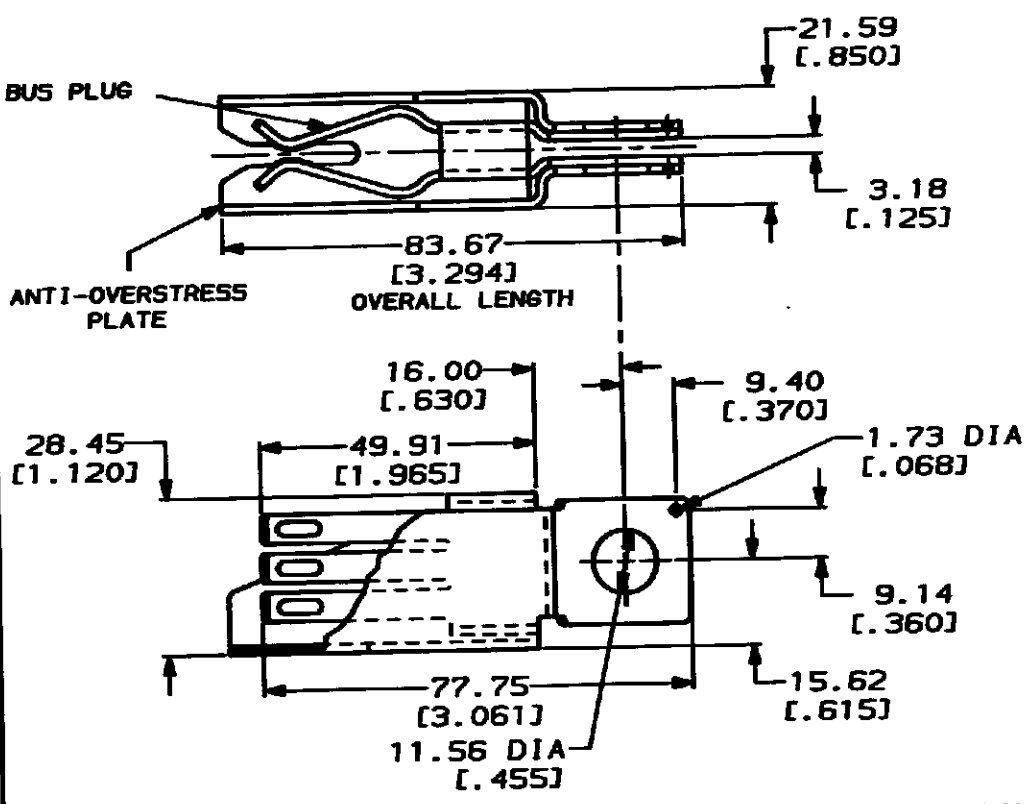


DRAWING MADE IN THIRD ANGLE PROJECTION

LOC	DIST	P	F	LTR	DESCRIPTION	DATE	APPROVED
BG	5			E	REVISION PER B6648	04/92	<i>Gene</i>

THIS DRAWING IS UNPUBLISHED. RELEASED FOR PUBLICATION BY AMP OF CANADA LTD. ALL INTERNATIONAL RIGHTS RESERVED. © COPYRIGHT 19



1. ALL DIMENSIONS REFERENCE ONLY

**METRIC**

104501-1  
PART NO

DO NOT SCALE PRINT. UNLESS SPECIFIED DIMENSIONS IN mm (IN) TOLERANCES ON: 2 PLG DEC ± - 3 PLG DEC ± - ANGLES ± -	DR -	<b>AMP</b> AMP of CANADA Ltd. Markham, Ont.
	CHK S. NUMBER	
MATERIAL BUS PLUG: COPPER ALLOY ANTI-OVERSTRESS PLATE: S.S.	APPO -	NAME AMP PDS, 125 F2 BUS PLUG W/GUIDE
	APPO -	
FINISH BUS PLUG: As per ANTI-OVERSTRESS PLATE: PASSELATED	PRODUCT SPEC 108-1101	SIZE <b>A</b>
	APPLICATION SPEC 114-02111	CAGE CODE 09482
AMP 1489-32 REV 11-89	WEIGHT -	DRAWING NO 104501
© AMP INC 1489-32		SCALE NTS
		SHEET 1 OF 1

CUSTOMER DRAWING